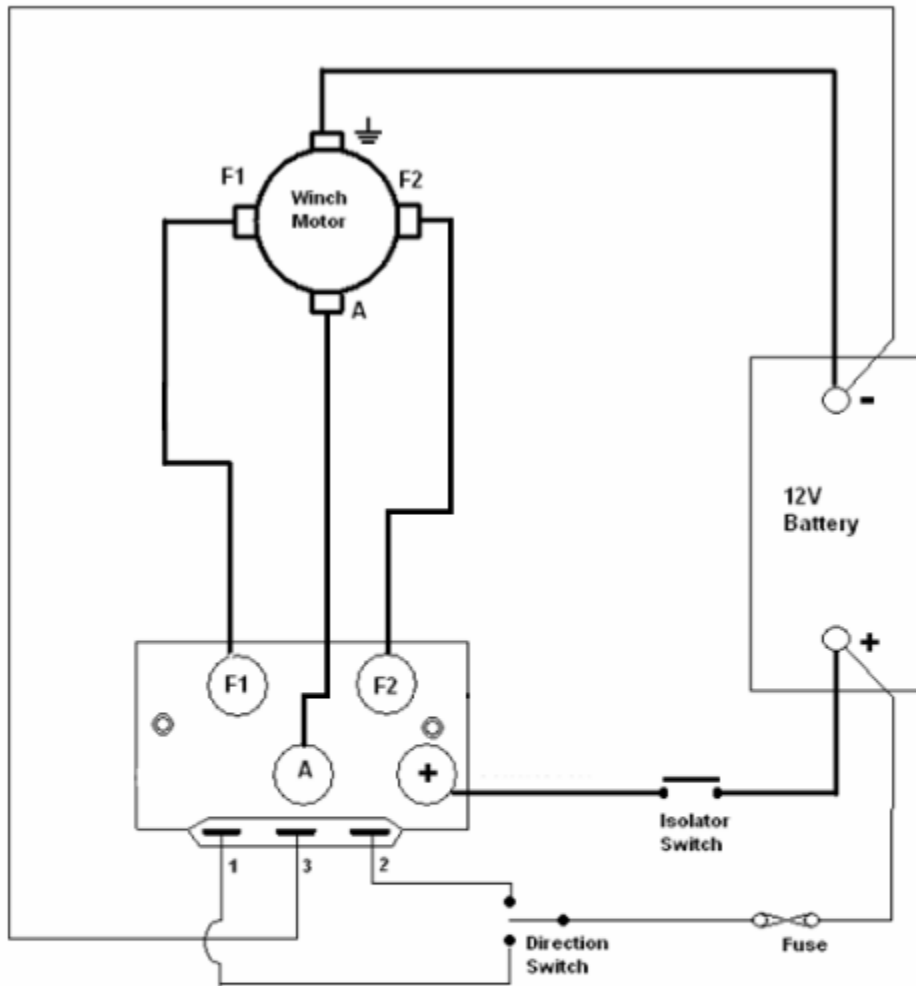




G13008 Albright Solenoid

Recommended Wiring Diagram



Coil Connections
1 Switch Positive
2 Switch Positive
3 Negative

PLEASE NOTE:
Armature (A) terminal and Positive (+) terminal
are reversible and can be connected either way around.
THIS IS THE ONLY VARIANT OF SOLENOID WITH THIS CAPABILITY

WARNING - Please ensure switch wiring on the coil is correct for rotation of motor.

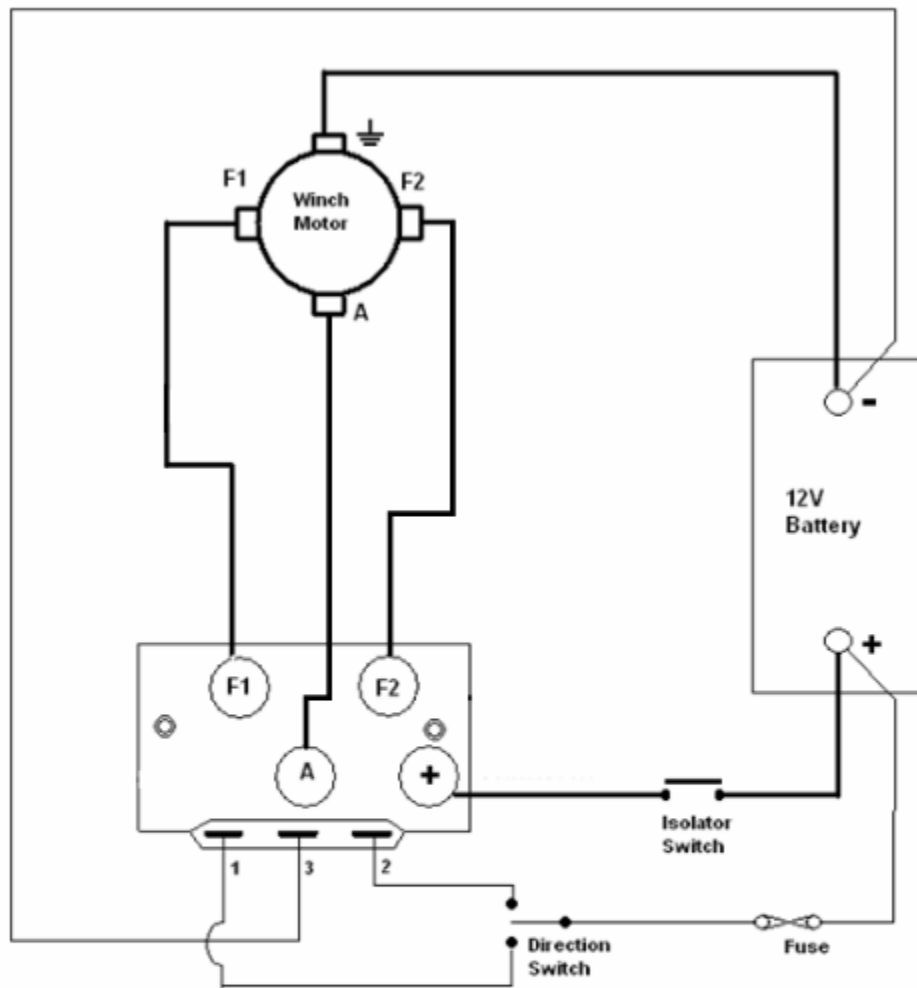
These solenoids are wired differently from previous versions.

We Recommend changing solenoids as a pair.



G13008 Albright Solenoid

Recommended Wiring Diagram



Coil Connections
1 Switch Positive
2 Switch Positive
3 Negative

PLEASE NOTE:
Armature (A) terminal and Positive (+) terminal
are reversible and can be connected either way around.
THIS IS THE ONLY VARIANT OF SOLENOID WITH THIS CAPABILITY

WARNING - Please ensure switch wiring on the coil is correct for rotation of motor.

**These solenoids are wired differently from previous versions.
We Recommend changing solenoids as a pair.**