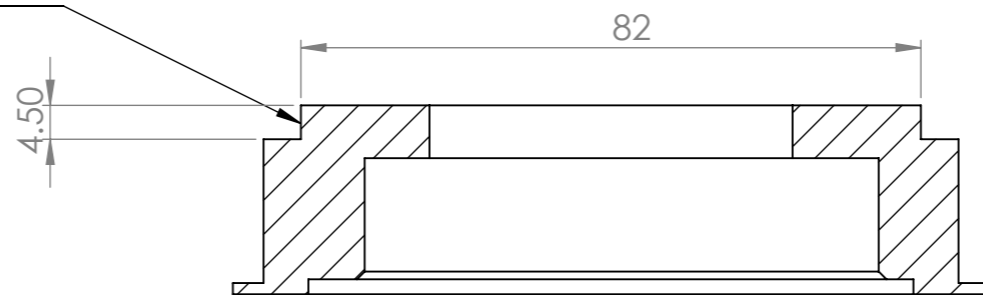
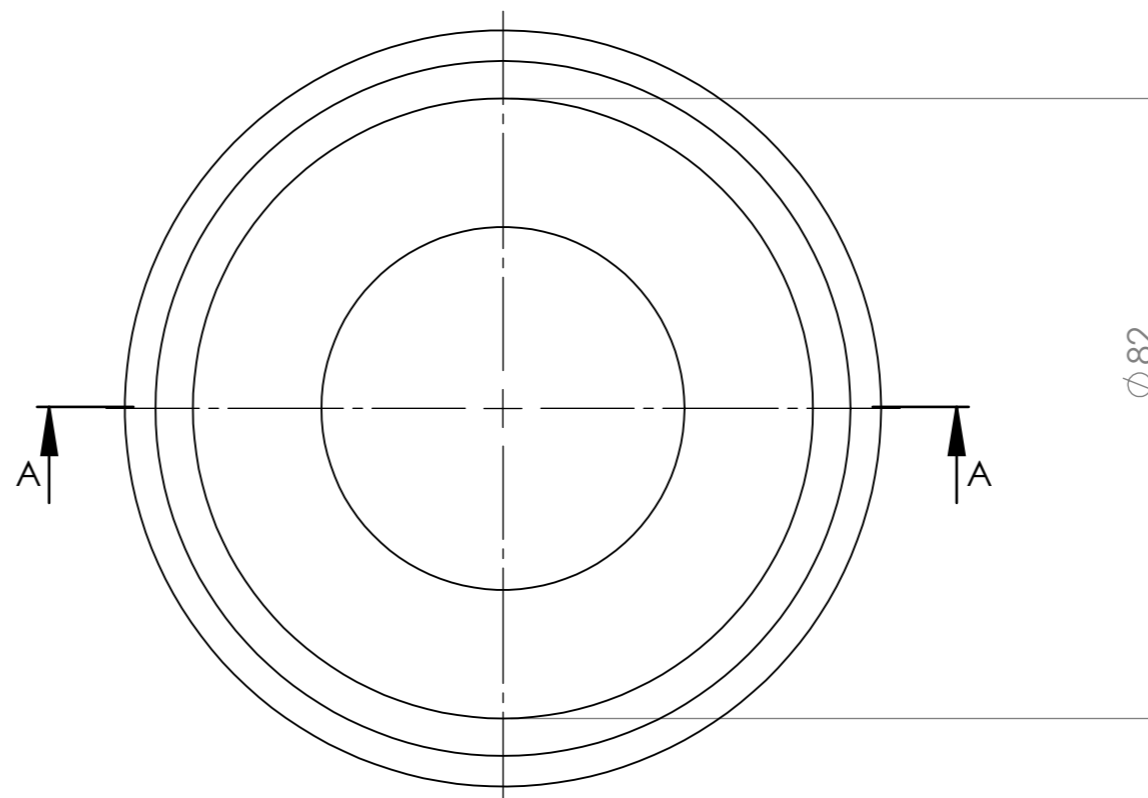
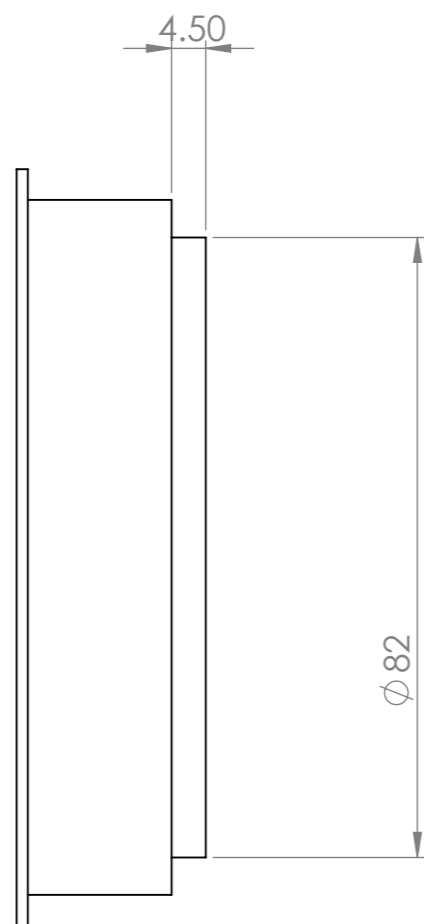
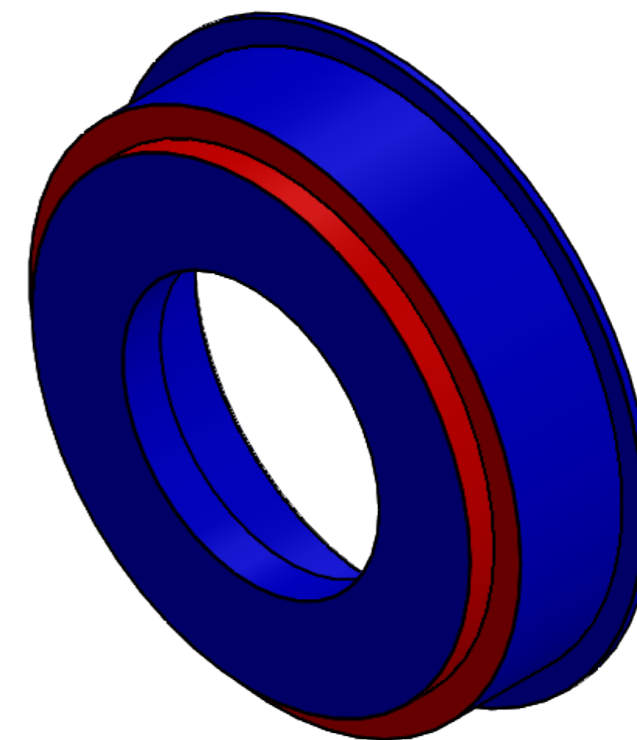


To enable the new Gigglepip GP8274 Billet End Plate to be used with an existing Delta-tek drum the following modification will need to be carried out the the bearing carrier.


Remove 4.5 mm depth of material to a reduced diameter of 82mm



SECTION A-A



MODIFICATIONS TO DELTA-TEK BEARING CARRIER TO FIT GIGGLEPIN 8274 BILLET ENDPLATE

FINISH: N/A		DO NOT SCALE DRAWING	REVISION
DEBURR AND BREAK SHARP EDGES		DWG NAME Delta-tek bearing carrier	
NAME Iain	SIGNATURE	DATE 12/06/2017	DWG DESCRIPTION Modifications to fit GP8274 billet End Plate
UNLESS OTHERWISE SPECIFIED: DIMENSIONS ARE IN MILLIMETERS		Gigglepip 4x4 Unit 10, Gaza Trading Estate Scabharbour Road Hildenborough, Kent TN11 8PL 01732 463600	
SURFACE FINISH: $\sqrt{1.6}$			
TOLERANCES: LINEAR: $0 \pm 0.5, 0.0 \pm 0.3, 0.00 \pm 0.1$ ANGULAR: $\pm 1^\circ$			
MATERIAL: N/A		A3	
WEIGHT: 80.64		SCALE: 1:1	SHEET 1 OF 1